

Spare parts list

(1.107-162.0) G2500 DH

Table of contents

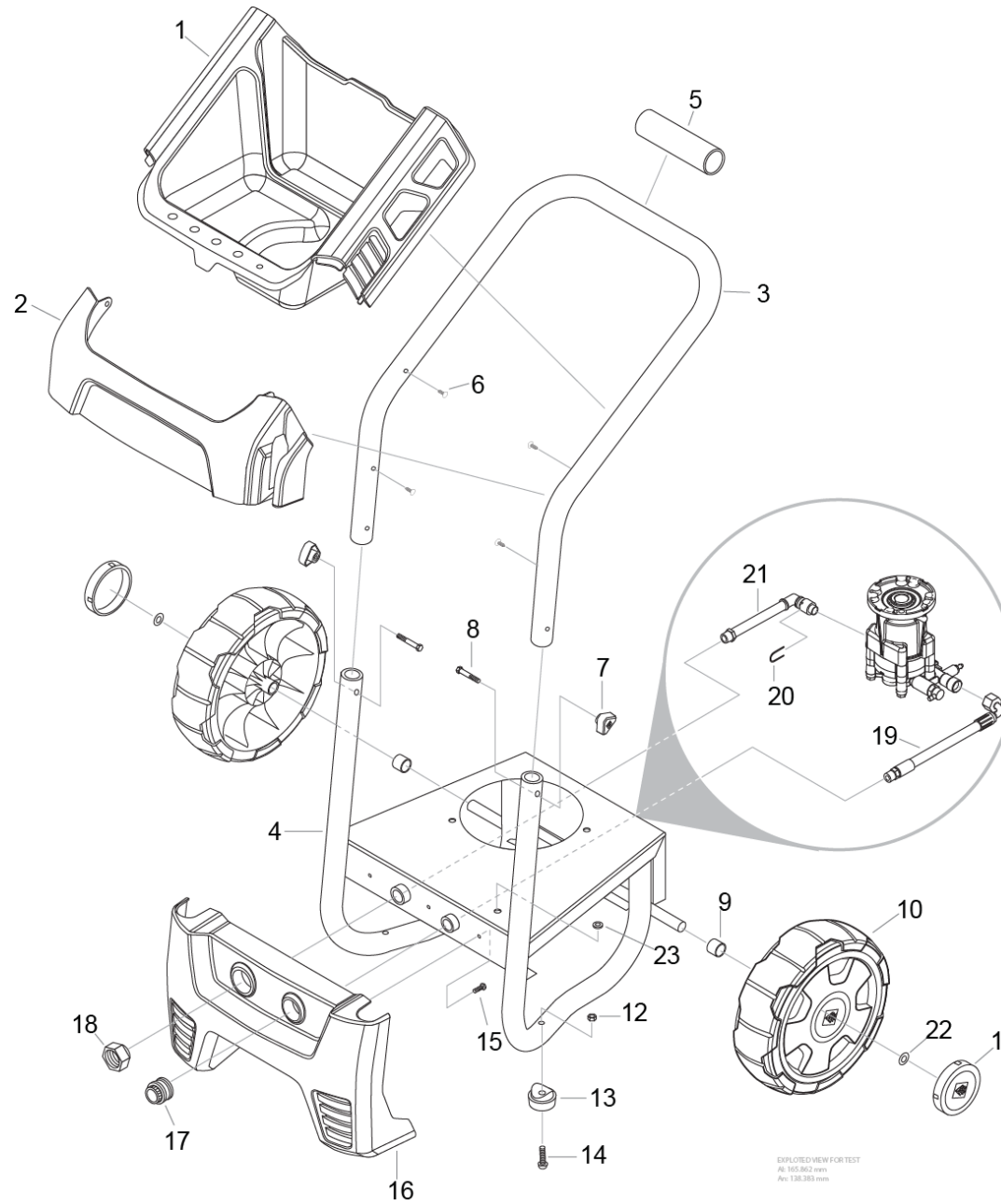
| | |
|---|----|
| Order instructions | 2 |
| G2500 DH (1.107-162.0) | 6 |
| 120 SPARE PART LIST - PERFORMANCE SERIES (8.919-288.0) | 7 |
| 10 FRAME (8.921-249.0) | 8 |
| 20 PUMP SET (8.921-251.0) | 10 |
| 21 Cylinder head | 11 |
| 8 SPARE PART LIST NOZZLE INS 020/021 PUMP (9.139-372.0) | 13 |
| 9 Spare part set chemistry (2.883-862.0) | 15 |
| 10 Drain plug only for replacement (4.132-007.0) | 17 |
| 11 Valve (3 Stück) (2.884-916.0) | 19 |
| 22 PISTON (8.921-253.0) | 21 |
| 30 MOTOR (8.921-427.0) | 23 |
| 31 MOTOR (8.921-428.0) | 24 |
| 32 Transmission | 26 |
| 40 ACCESSORIES (8.921-252.0) | 28 |

G2500 DH (1.107-162.0)

| POS | Article no. | Description | Quantity | Unit |
|------------|--------------------|--------------------------------------|-----------------|-------------|
| 120 | 8.919-288.0 | SPARE PART LIST - PERFORMANCE SERIES | 1.000 | ST |

120 SPARE PART LIST - PERFORMANCE SERIES (8.919-288.0)

| POS | Article no. | Description | Quantity | Unit | Foot note text |
|------------|--------------------|--------------------|-----------------|-------------|-------------------------------|
| 10 | 8.921-249.0 | FRAME | 1.000 | ST | ARTICLE ONLY AVAILABLE AT KNA |
| 20 | 8.921-251.0 | PUMP SET | 1.000 | ST | ARTICLE ONLY AVAILABLE AT KNA |
| 30 | 8.921-427.0 | MOTOR | 1.000 | ST | ARTICLE ONLY AVAILABLE AT KNA |
| 40 | 8.921-252.0 | ACCESSORIES | 1.000 | ST | ARTICLE ONLY AVAILABLE AT KNA |

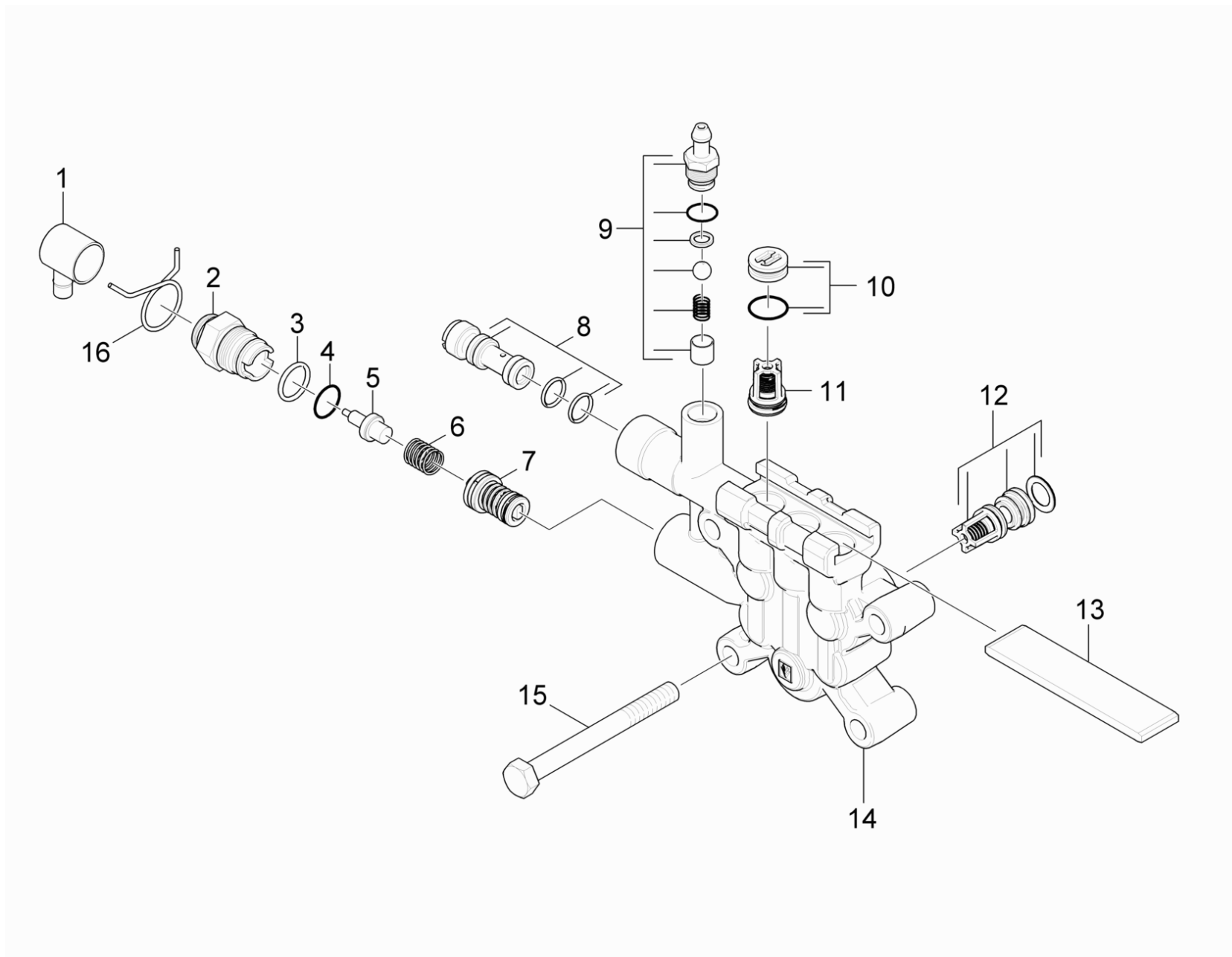


10 FRAME (8.921-249.0)

| POS | Article no. | Description | Quantity | Unit | Foot note text |
|-----|-------------|--|----------|------|-------------------------------|
| 1 | 8.751-076.0 | BASKET, STORAGE PLATE | 1.000 | ST | ARTICLE ONLY AVAILABLE AT KNA |
| 2 | 8.751-077.0 | PLATE, NAME | 1.000 | ST | ARTICLE ONLY AVAILABLE AT KNA |
| 3 | 8.919-284.0 | HANDLE, TITANIUM PAINTED | 1.000 | ST | ARTICLE ONLY AVAILABLE AT KNA |
| 4 | 8.919-277.0 | FRAME, TITANIUM PAINTED VERTICAL | 1.000 | ST | ARTICLE ONLY AVAILABLE AT KNA |
| 5 | 9.142-021.0 | Foam Grip | 1.000 | ST | ARTICLE ONLY AVAILABLE AT KNA |
| 6 | 9.196-049.0 | Nylon Rivet | 4.000 | ST | ARTICLE ONLY AVAILABLE AT KNA |
| 7 | 8.751-656.0 | 1/4"-20 PERFORMANCE KNOB | 2.000 | ST | ARTICLE ONLY AVAILABLE AT KNA |
| 8 | 9.196-307.0 | 1/4-20 x 1-1/2 GR 2 HEX BOLT ZINC | 2.000 | ST | ARTICLE ONLY AVAILABLE AT KNA |
| 9 | 8.751-374.0 | SPACER 5/8 X 1,25 BLACK | 2.000 | ST | ARTICLE ONLY AVAILABLE AT KNA |
| 10 | 8.751-803.0 | HUMMER PERFORMANCE WHEEL, ASSY | 2.000 | ST | ARTICLE ONLY AVAILABLE AT KNA |
| 11 | 8.751-402.0 | CAP, GREY FACE | 2.000 | ST | ARTICLE ONLY AVAILABLE AT KNA |
| 12 | 9.197-010.0 | 1/4-20" Nylon Insert Lock Nut with Flang | 2.000 | ST | ARTICLE ONLY AVAILABLE AT KNA |
| 13 | 8.751-340.0 | RUBBER, CONTOUR 1.25" | 2.000 | ST | ARTICLE ONLY AVAILABLE AT KNA |
| 14 | 8.751-805.0 | 1/4-20 x 1-3/4 GR 5 HEX BOLT ZINC | 2.000 | ST | ARTICLE ONLY AVAILABLE AT KNA |
| 15 | 8.751-156.0 | #10-16 x 1/2" Phillips Pan Head High-Low | 2.000 | ST | ARTICLE ONLY AVAILABLE AT KNA |
| 16 | 8.751-075.0 | FRONT, LOWER COVER | 1.000 | ST | ARTICLE ONLY AVAILABLE AT KNA |
| 17 | 8.750-698.0 | COUPLER, 3/8" MALE, BRASS, A+ | 1.000 | ST | ARTICLE ONLY AVAILABLE AT KNA |
| 18 | 9.802-146.0 | SWIVEL, 1/2" MP x 3/4" GHF W/STRAINER | 1.000 | ST | ARTICLE ONLY AVAILABLE AT KNA |
| 19 | 8.751-154.0 | HIGH PRESSURE HOSE 3200 psi (M22 to 3/8N | 1.000 | ST | ARTICLE ONLY AVAILABLE AT KNA |
| 20 | 8.751-152.0 | LOCK (U) 16GA | 1.000 | ST | ARTICLE ONLY AVAILABLE AT KNA |
| 21 | 8.919-877.0 | ASSY, INLET, LOW PRESSURE | 1.000 | ST | ARTICLE ONLY AVAILABLE AT KNA |
| 22 | 8.718-870.0 | NUT, .61 ID, PUSH FLAT | 2.000 | ST | ARTICLE ONLY AVAILABLE AT KNA |
| 23 | 8.752-087.0 | Grommet, edge cover | 1.000 | ST | ARTICLE ONLY AVAILABLE AT KNA |

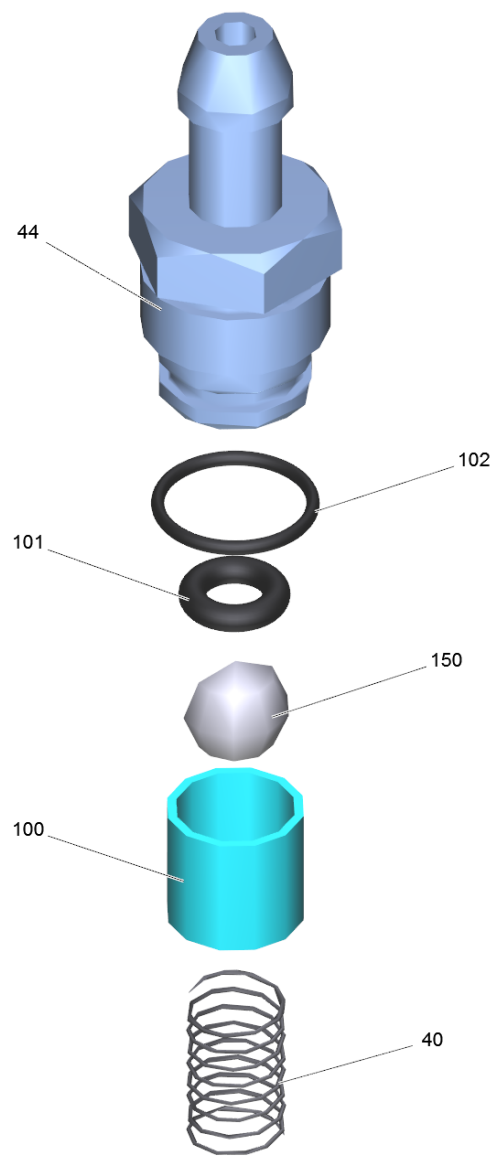
20 PUMP SET (8.921-251.0)

| POS | Article no. | Description | Quantity | Unit | Foot note text |
|------------|--------------------|--------------------|-----------------|-------------|-------------------------------|
| 21 | | Cylinder head | 1.000 | ST | ARTICLE ONLY AVAILABLE AT KNA |
| 22 | 8.921-253.0 | PISTON | 1.000 | ST | ARTICLE ONLY AVAILABLE AT KNA |



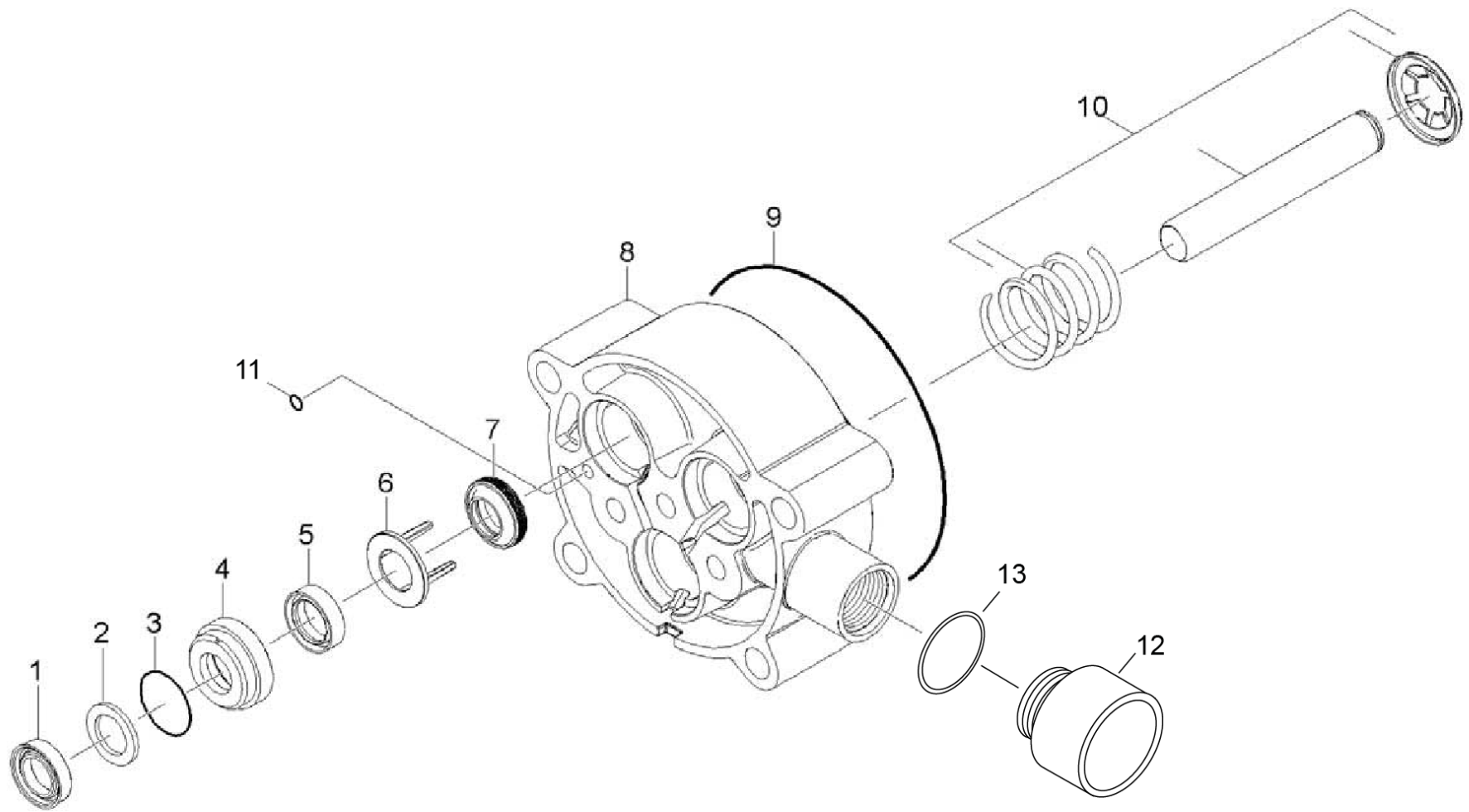
21 Cylinder head

| POS | Article no. | Description | Quantity | Unit | Foot note text |
|-----|-------------|---|----------|------|---------------------------|
| 1 | 8.752-076.0 | VALVE, THERMAL COVER-LONG | 1.000 | ST | |
| 2 | 9.184-018.0 | Valve screw | 1.000 | ST | |
| 3 | 6.362-480.0 | O-Ring seal 12,42x 1,78 | 1.000 | ST | |
| 4 | 7.362-507.0 | O-Ring seal 8x2-NBR 90 DIN 3770 | 1.000 | ST | |
| 5 | 6.413-403.0 | Therموالve 60° | 1.000 | ST | |
| 6 | 5.332-290.0 | Helical spring | 1.000 | ST | |
| 7 | 9.175-005.0 | Unloader Assembly | 1.000 | ST | |
| 8 | 9.139-372.0 | SPARE PART LIST NOZZLE INS 020/021 PUMP | 1.000 | ST | |
| 9 | 2.883-862.0 | Spare part set chemistry | 1.000 | ST | |
| 10 | 4.132-007.0 | Drain plug only for replacement | 3.000 | ST | |
| 11 | 2.884-916.0 | Valve (3 Stück) | 1.000 | ST | SET CONSITSTS OF 3X VALVE |
| 12 | 9.139-376.0 | Valve 3 St. | 1.000 | ST | SET CONSITSTS OF 3X VALVE |
| 13 | 5.003-062.0 | Plate | 1.000 | ST | |
| 14 | 9.135-015.0 | Cylinder Head-Machined | 1.000 | ST | |
| 15 | 7.304-098.0 | Hexagonal head screw M8x80-8.8-A2E ISO | 4.000 | ST | |
| 16 | 8.752-032.0 | CLAMP, TENSION SPRING OD 11/16" | 1.000 | ST | |



9 Spare part set chemistry (2.883-862.0)

| POS | Article no. | Description | Quantity | Unit |
|------------|--------------------|--------------------------------------|-----------------|-------------|
| 40 | 5.332-258.0 | Helical spring | 1.000 | ST |
| 44 | 5.443-448.0 | Nipple chemistry | 1.000 | ST |
| 100 | 5.110-714.0 | Sleeve | 1.000 | ST |
| 101 | 6.363-597.0 | O-Ring seal 5,28 x 1,78 | 1.000 | ST |
| 102 | 6.362-451.0 | O-Ring seal 8,0 x 1,0 | 1.000 | ST |
| 110 | 6.376-036.0 | Label spare parts neutrally 65x55 MM | 1.000 | ZST |
| 130 | 6.590-384.0 | Bag PE 80x120 MM neutral | 1.000 | ST |
| 150 | 7.401-908.0 | Sphere 7 G300 -1.4301 DIN 5401 | 1.000 | ST |

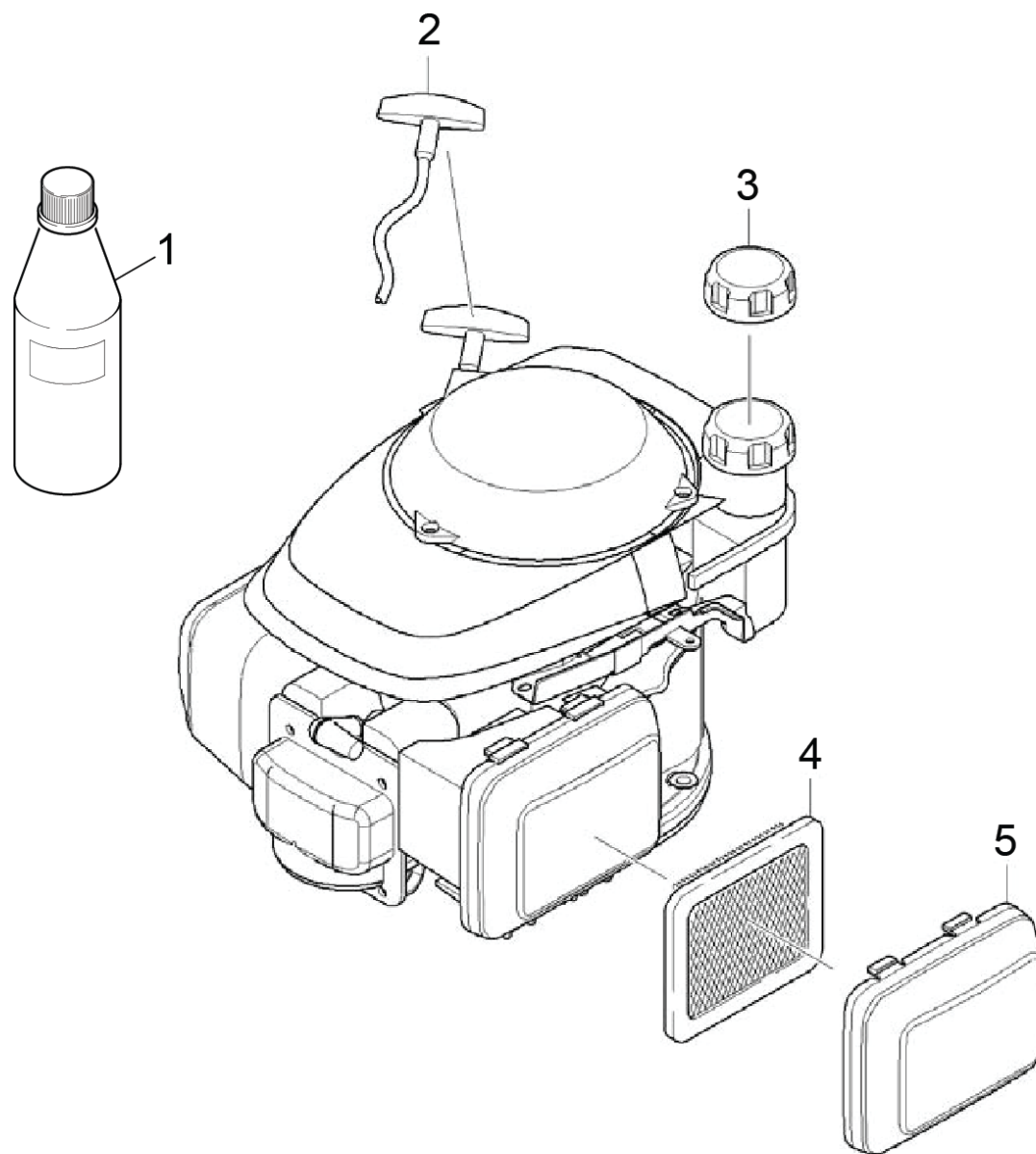


22 PISTON (8.921-253.0)

| POS | Article no. | Description | Quantity | Unit | Foot note text |
|-----|-------------|--|----------|------|-------------------------------|
| 1 | 9.177-301.0 | HIGH PRESSURE SEAL | 3.000 | ST | ARTICLE ONLY AVAILABLE AT KNA |
| 2 | 9.177-310.0 | BACK RING-HIGH PRESSURE SEAL- | 3.000 | ST | ARTICLE ONLY AVAILABLE AT KNA |
| 3 | 6.362-833.0 | O-Ring seal 21,5 x 1,78 | 3.000 | ST | ARTICLE ONLY AVAILABLE AT KNA |
| 4 | 9.155-011.0 | HOUSING-LOW PRESSURE SEAL | 3.000 | ST | ARTICLE ONLY AVAILABLE AT KNA |
| 5 | 6.363-058.0 | Grooved ring 12x18x5 (90Shore) | 3.000 | ST | ARTICLE ONLY AVAILABLE AT KNA |
| 6 | 9.134-016.0 | SPACER-OIL SEAL & SEAL HSG. | 3.000 | ST | ARTICLE ONLY AVAILABLE AT KNA |
| 7 | 6.365-393.0 | Oil sealing 12x20x4/6 | 3.000 | ST | ARTICLE ONLY AVAILABLE AT KNA |
| 8 | 9.133-007.0 | Piston Guide-Machined | 1.000 | ST | ARTICLE ONLY AVAILABLE AT KNA |
| 9 | 6.362-471.0 | O-Ring seal 80,0 X 3,0 -NBR 70 | 1.000 | ST | ARTICLE ONLY AVAILABLE AT KNA |
| 10 | 9.139-370.0 | SPARE PART LIST PISTON 020/021 PUMP | 3.000 | ST | ARTICLE ONLY AVAILABLE AT KNA |
| 11 | 6.363-626.0 | O-Ring seal 4,47x1,78 -NBR90 | 1.000 | ST | ARTICLE ONLY AVAILABLE AT KNA |
| 12 | 8.751-151.0 | M/F PIPE SWIVEL (1/2) PA 6.6 | 1.000 | ST | ARTICLE ONLY AVAILABLE AT KNA |
| 13 | | O-RING 15ID X 2 CS HNBR SHORE-80 (BLACK) | 1.000 | ST | ARTICLE ONLY AVAILABLE AT KNA |

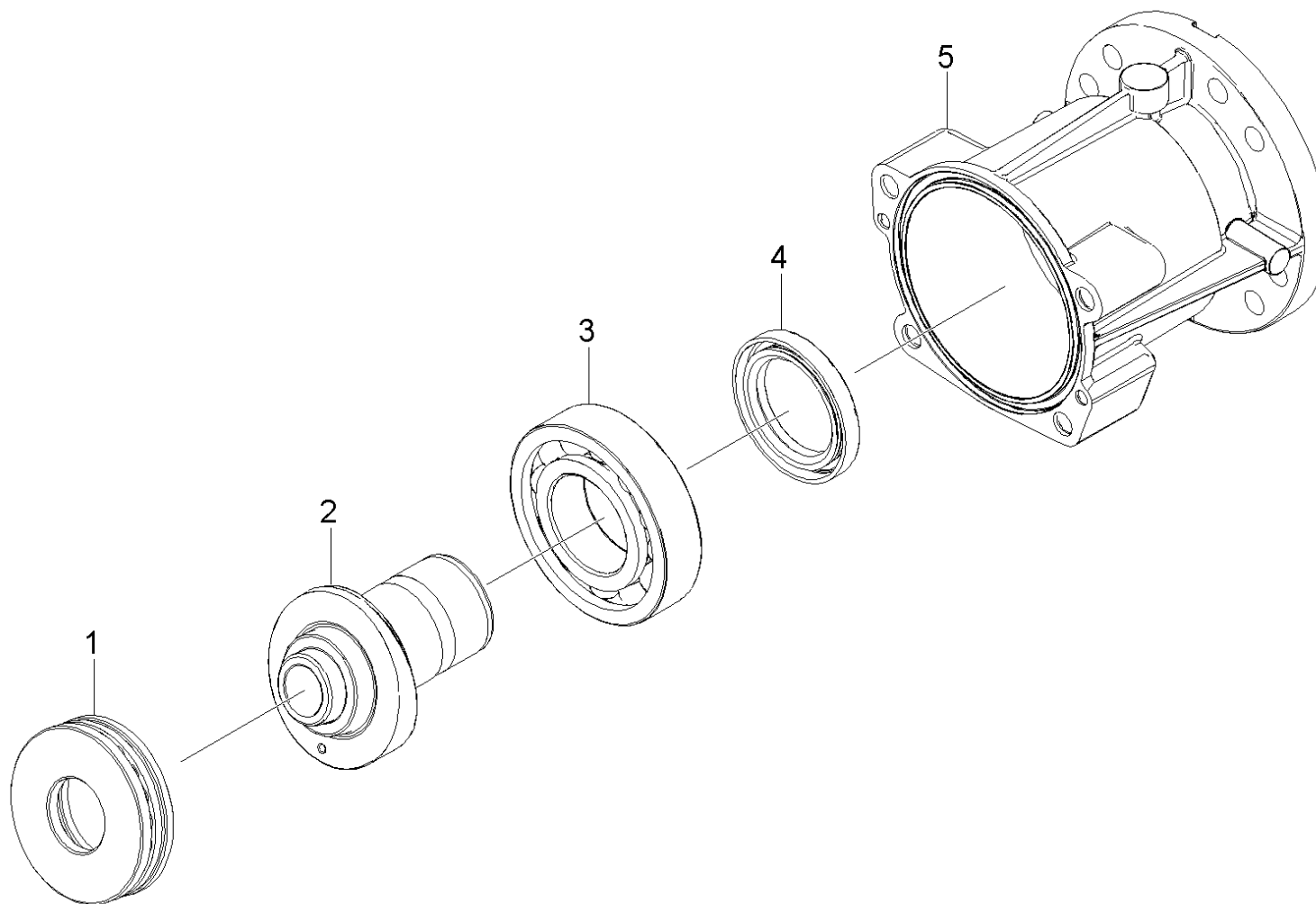
30 MOTOR (8.921-427.0)

| POS | Article no. | Description | Quantity | Unit | Foot note text |
|------------|--------------------|--------------------|-----------------|-------------|-------------------------------|
| 31 | 8.921-428.0 | MOTOR | 1.000 | ST | ARTICLE ONLY AVAILABLE AT KNA |
| 32 | | Transmission | 1.000 | ST | ARTICLE ONLY AVAILABLE AT KNA |



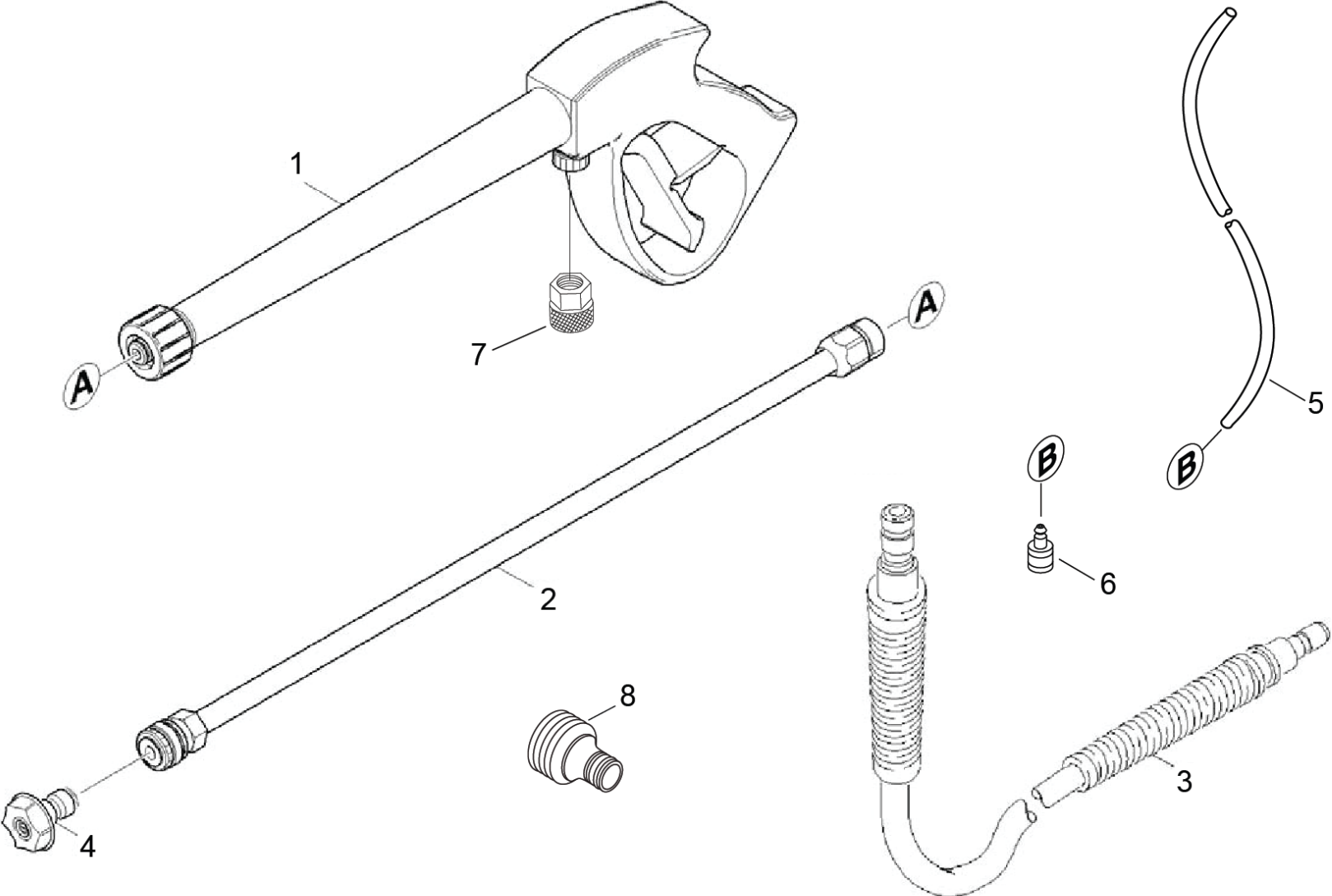
31 MOTOR (8.921-428.0)

| POS | Article no. | Description | Quantity | Unit | Foot note text |
|------------|--------------------|--------------------|-----------------|-------------|-------------------------------|
| 1 | 6.288-050.0 | Engine oil 1L | 1.000 | ST | ARTICLE ONLY AVAILABLE AT KNA |
| 2 | 6.491-503.0 | Handhold | 1.000 | ST | ARTICLE ONLY AVAILABLE AT KNA |
| 3 | 6.491-723.0 | Cap of a tank | 1.000 | ST | ARTICLE ONLY AVAILABLE AT KNA |
| 4 | 6.491-726.0 | Air filter insert | 1.000 | ST | ARTICLE ONLY AVAILABLE AT KNA |
| 5 | 9.194-543.0 | Cover | 1.000 | ST | ARTICLE ONLY AVAILABLE AT KNA |



32 Transmission

| POS | Article no. | Description | Quantity | Unit |
|------------|--------------------|--------------------------------|-----------------|-------------|
| 1 | 9.165-355.0 | GROOVED BALL BEARING | 1.000 | ST |
| 2 | 9.135-017.0 | Swash Plate Vertical-Machined- | 1.000 | ST |
| 3 | 9.165-356.0 | BALL BEARING NO. 6207 | 1.000 | ST |
| 4 | 9.177-314.0 | Radial Seal, 35x52x7 | 1.000 | ST |
| 5 | 9.135-016.0 | Oil Housing Vertical Machined | 1.000 | ST |



40 ACCESSORIES (8.921-252.0)

| POS | Article no. | Description | Quantity | Unit | Remark | Foot note text |
|-----|-------------|--------------------------------------|----------|------|-----------------------|-------------------------------|
| 1 | 9.112-012.0 | AL BIT101 TRIGGER GUN | 1.000 | ST | | ARTICLE ONLY AVAILABLE AT KNA |
| 2 | 9.112-533.0 | Lance-AL Quick Connect-Male 3000 psi | 1.000 | ST | | ARTICLE ONLY AVAILABLE AT KNA |
| 3 | 8.753-422.0 | HOSE, HP DN6 25FT, 3600PSI QD | 1.000 | ST | | ARTICLE ONLY AVAILABLE AT KNA |
| 4 | 9.104-028.0 | QUICK CONNECT NOZZLE KIT (0325) | 1.000 | ST | (2700 Model) | ARTICLE ONLY AVAILABLE AT KNA |
| 4 | 8.751-819.0 | NOZZLE, QUICK DISCONNECT 4KIT (035) | 1.000 | ST | (2500 Model) | ARTICLE ONLY AVAILABLE AT KNA |
| 5 | 6.388-216.0 | Hose DN 5 | 1.000 | M | TO ORDER AS CUT GOODS | ARTICLE ONLY AVAILABLE AT KNA |
| 6 | 5.731-652.0 | Filter with weight | 1.000 | ST | | ARTICLE ONLY AVAILABLE AT KNA |
| 7 | 9.154-045.0 | Quick Connect | 1.000 | ST | | ARTICLE ONLY AVAILABLE AT KNA |
| 8 | 6.645-538.0 | Tap adaptor complete US w/m thread | 1.000 | ST | (AUSTRALIAN MODEL) | ARTICLE ONLY AVAILABLE AT KNA |